

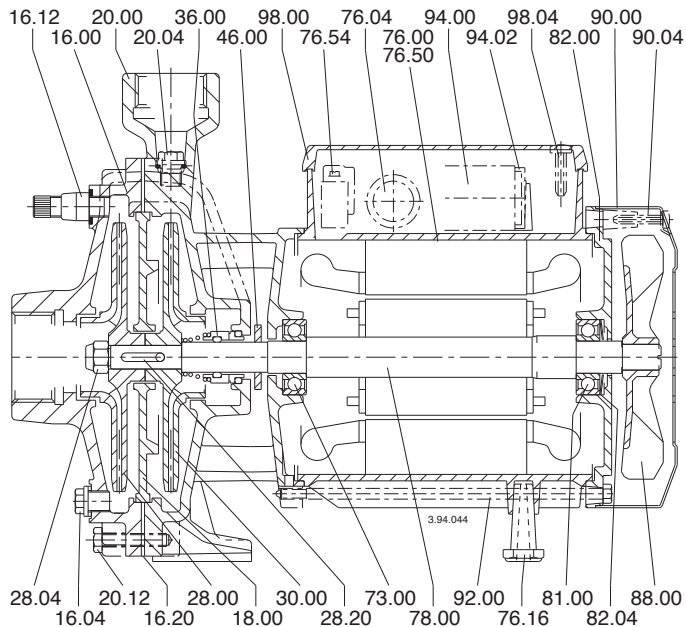
Service kit

Pos

- 16.20
- 28.00
- 30.00
- 28.04
- 28.20
- 36.00
- 36.50*
- 36.54
- 73.00
- 81.00
- 94.00*

*Quando presente
When available

NMD 20/110AE-ZE-BE
B-NMD 20/110AE-ZE-BE



NMD 20/140AE-BE
B-NMD 20/140AE-BE

